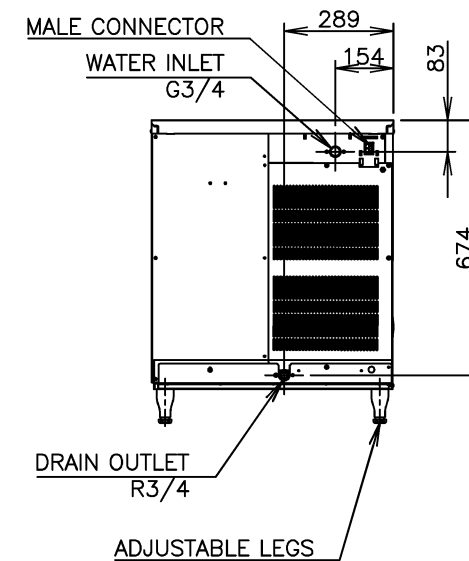
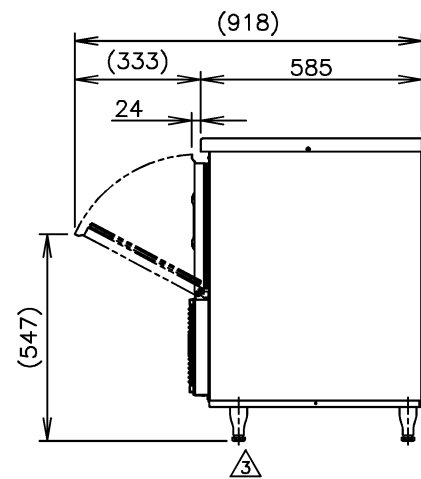
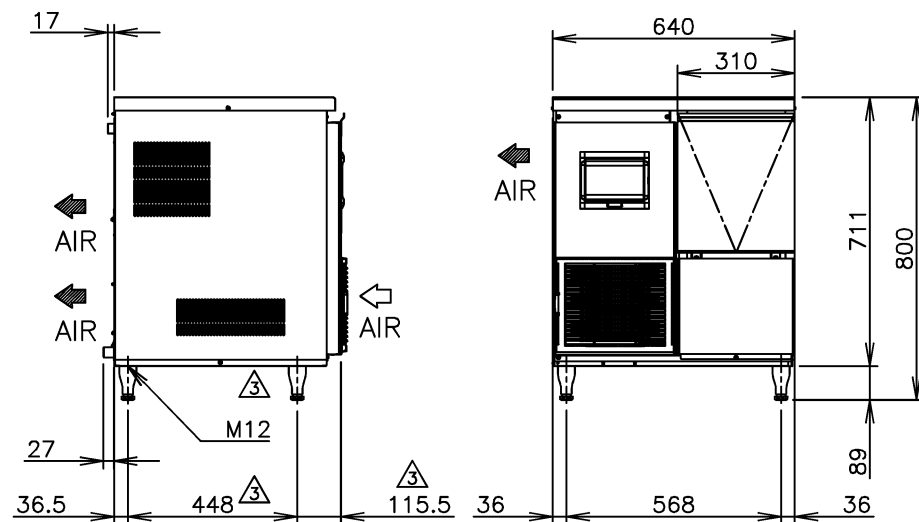
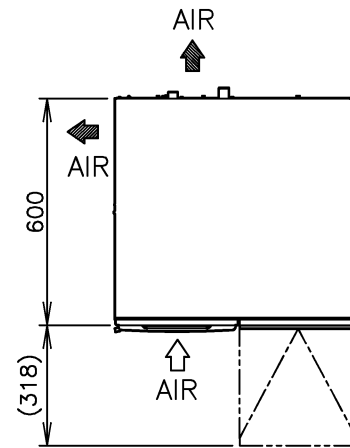


| | |
|--------------------------------|---|
| ITEM | HOSHIZAKI CUBELET ICE MAKER |
| MODEL | CM-140KE |
| POWER SUPPLY | 1 Phase 220-240V 50Hz Capacity: 1.46kVA (6.4A) |
| AMPERAGE | 5.1A Starting: 20A |
| ELECTRIC CONSUMPTION | 640W (Power Factor: 58%) |
| ICE PRODUCTION PER 24h | Approx.140kg (Ambient Temp. 10°C, Water Temp. 10°C) Approx.115kg (Ambient Temp. 21°C, Water Temp. 15°C) Approx.95kg (Ambient Temp. 32°C, Water Temp. 21°C) |
| SHAPE OF ICE | Flake |
| MAX. STORAGE CAPACITY | Approx. 32kg - Leveled (Bin Control Setting Approx. 27kg) |
| WATER CONSUMPTION PER 24h | Approx.0.140m ³ (Ambient Temp. 10°C, Water Temp. 10°C) Approx.0.115m ³ (Ambient Temp. 21°C, Water Temp. 15°C) Approx.0.095m ³ (Ambient Temp. 32°C, Water Temp. 21°C) |
| OUTSIDE DIMENSIONS | 640mm(W) x 600mm(D) x 800(798~833)mm(H) |
| INSULATION FOAM BLOWING AGENT | HFC-245fa, 365mfc |
| HEAT REJECTION | 1120W (Ambient temp.32°C, Water temp.21°C) |
| CABINET | Stainless Steel, Galvanized Steel (Rear) |
| ICE MAKING SYSTEM | Thin ice forming inside Cylinder (Flake Ice) |
| WATER SUPPLY SYSTEM | Direct Connection to Water Main, Inlet: G3/4 (Rear) |
| DRAIN SYSTEM | Outlet: R3/4 (Rear) |
| COMPRESSOR | Hermetic |
| CONDENSER | Fin and Tube type, Air-cooled |
| EVAPORATOR | Tube coiled around Cylinder (Solder Plated) |
| REFRIGERANT | R134a |
| BIN CONTROL | Actuator and Reed Switch (Time delay controlled) |
| ICEMAKING WATER CONTROL | Float Switch and Solenoid Valve |
| ELECTRICAL CIRCUIT PROTECTION | 10A Circuit Breaker |
| REFRIGERANT CIRCUIT PROTECTION | Compressor Internal Thermostat Condensing Temperature detected by Thermistor (Auto-reset) |
| MECHANISM PROTECTION | Micro switch (Manual-reset) |
| INTERLOCK | Shutdown by Microprocessor (Manual-reset) |
| WEIGHT | Net: 71kg (Gross 82kg) |
| PACKAGE | Carton 746(W) x 706(D) x 887mm(H) |
| ACCESSORIES | Scoop, Installation Kit |
| OPERATING CONDITIONS | Ambient Temp.: 5 - 40°C, Water Supply Temp.: 5-35°C Water Supply Pressure: 0.05-0.8MPa, Voltage Range: Rated Voltage±10% |



*We reserve the right to make changes in specifications and design without prior notice.

1. Install the ice maker properly in accordance with the instructions on location, water supply/drain connections and electrical connections stated in the instruction and installation manuals provided.
2. The ice production depends on the ambient and water temperatures. Refer to the instruction manual.
3. Product Code: F080-C103

HOSHIZAKI CUBELET ICE MAKER CM-140KE (SELF-CONTAINED TYPE)

| | | | | | |
|---------------------|-----------------------|-------------------|--------------------|-----------------------|--------------|
| APPROVED YOSHIDA | CHECKED KUROYANAGI | DESIGNED KOSHI | DRAWN WATANABE | SCALE 1/20 | TRIGONOMETRY |
| KUROYANAGI | ARAI | 2016.08.26 | DATE 2012.03.08 | DRAWING NO. D11191 | SYMBOL 3 |
| APPROVED | DESIGNED | DATE | | | |