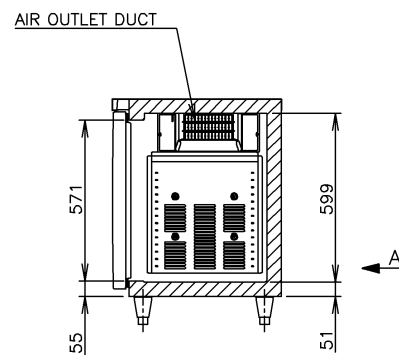
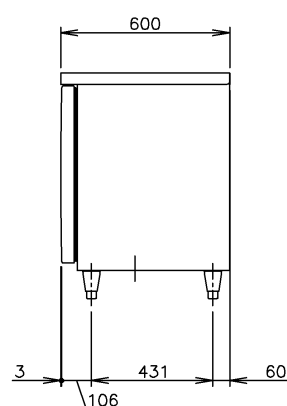
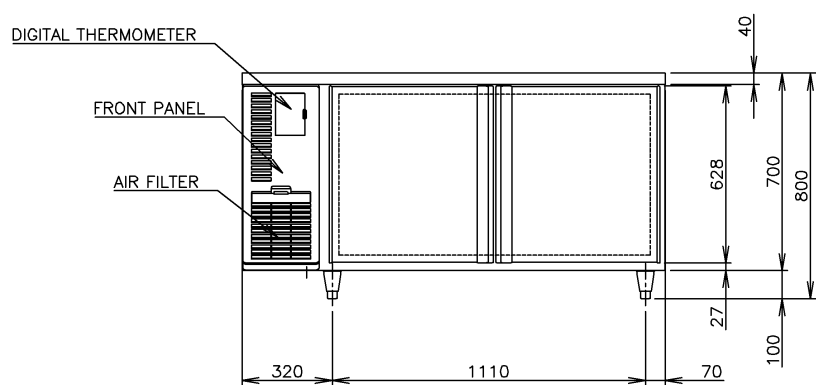
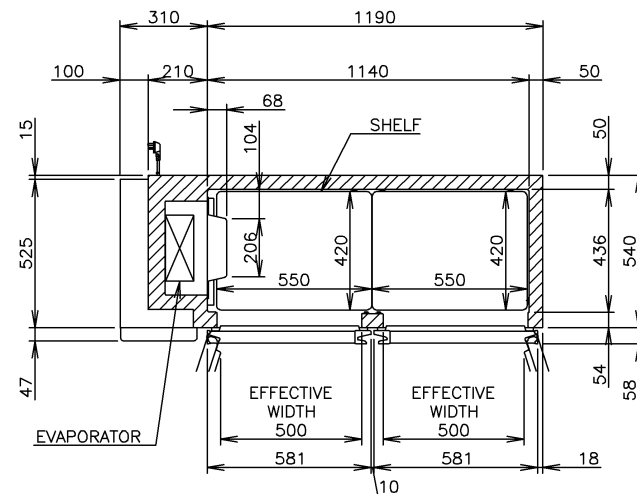
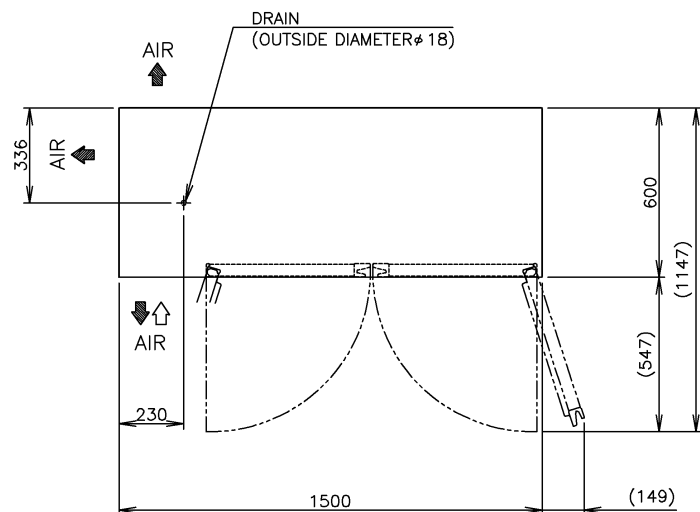


PLUG SHAPE



ITEM	Hoshizaki Undercounter Refrigerator
MODEL	RTC-150MNA
POWER SUPPLY	1 Phase 220V 50Hz Capacity:0.5kVA(2.27A)
AMPERAGE	Rated 1.6A
ELECTRIC CONSUMPTION	Motor 235W(Power Factor66%) Heater 21W Refrigeration 255W Defrost 25W
HEAT REJECTION	360W
POWER CORD	2.3m (Plug with Earth Wire)
EFFECTIVE CAPACITY	318L
OUTSIDE DIMENSIONS	W1500×D600×H800(790-830)mm
INSIDE DIMENSIONS	W1140×D436×H599mm
EXTERIOR	Precoated Steel, Galvanized Steel (Rear/Bottom) ABS Plastic (Front Panel)
INTERIOR	Precoated Steel, ABS Plastic (Door)
INSULATION	Polyurethane Foam
INSULATION FOAM BLOWING AGENT	Cyclopentane
REFRIGERATION SYSTEM	Forced Air Circulation
DEFROST SYSTEM	Off Cycle
COMPRESSOR	Hermetic 280W (cooling capacity)
CONDENSER	Fin and Tube type, Air-cooled
EVAPORATOR	Fin and Tube Type
REFRIGERANT	R134a
TEMPERATURE CONTROL	Microprocessor controlled Adjustable from 0 to 12℃
DEFROST CONTROL	Microprocessor controlled
ELECTRIC CIRCUIT PROTECTION	Fuse, Earth Wire
COMPRESSOR PROTECTION	Motor Protector
LEG	Plastic Adjustable 90 to 130mm
SHELF	4pcs. (include Bottom shelf)
WEIGHT	Net: 80kg (Gross: Approx. 85kg)
PACKAGE	Carton W1565×D680×H790mm
OPERATING CONDITIONS	Ambient Temperature:5-38℃ Voltage Range:Rated Voltage±6%

■We reserve the right to make changes in specifications and design without prior notice.

1. Install the product properly in accordance with the instructions on location, electrical connections stated in the instruction manual provided. Allow 10mm extra space at the installation site to meet any installation requirements(additional spacing is also required for proper air flow and pipe connections).
2. The heat rejection is based on the reached pulldown temperature at ambient temperature of 38℃ and power supply of 220V 50Hz. The ampere and electric consumption are based on measurements at ambient temperature of 38℃ and power supply of 220V 50Hz.
3. Product code: T070

# HOSHIZAKI UNDERCOUNTER REFRIGERATOR RTC-150MNA

APPROVED TORIHATA	CHECKED FUJIHARA	DESIGNED OKADA	DRAWN INSHIKOOR	SCALE 1/20	TRIGONOMETRY
*	*	△	****	DATE 2011.02.23	DRAWING NO. D08350
APPROVED	DESIGNED	SYMBOL	DATE		SYMBOL