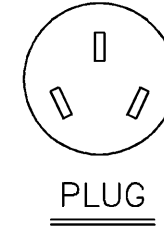
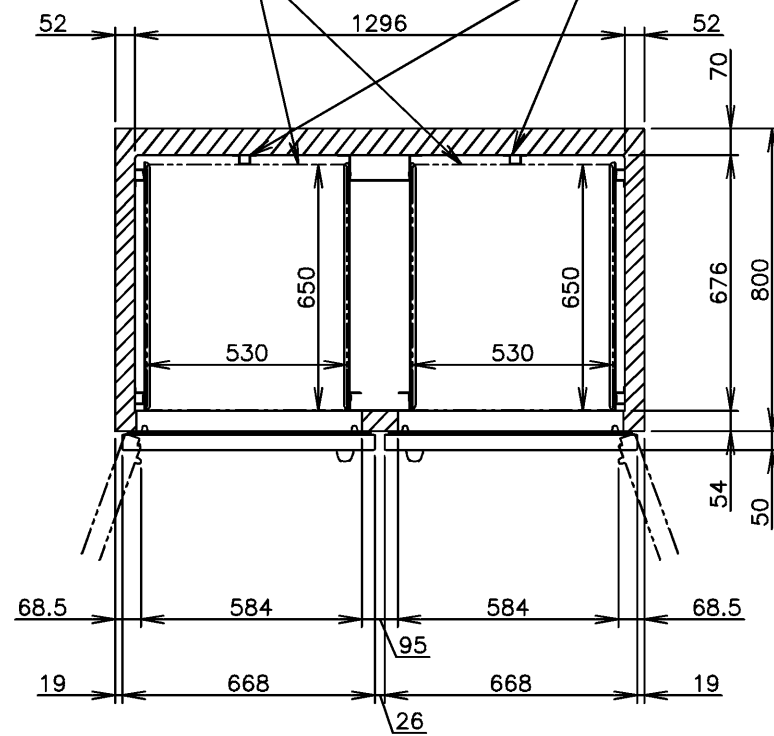
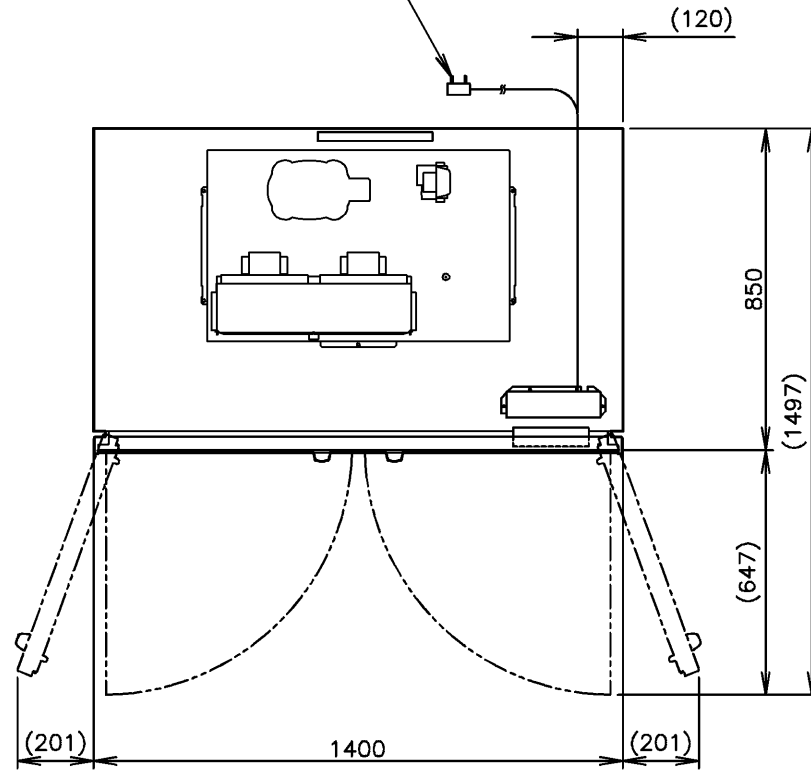


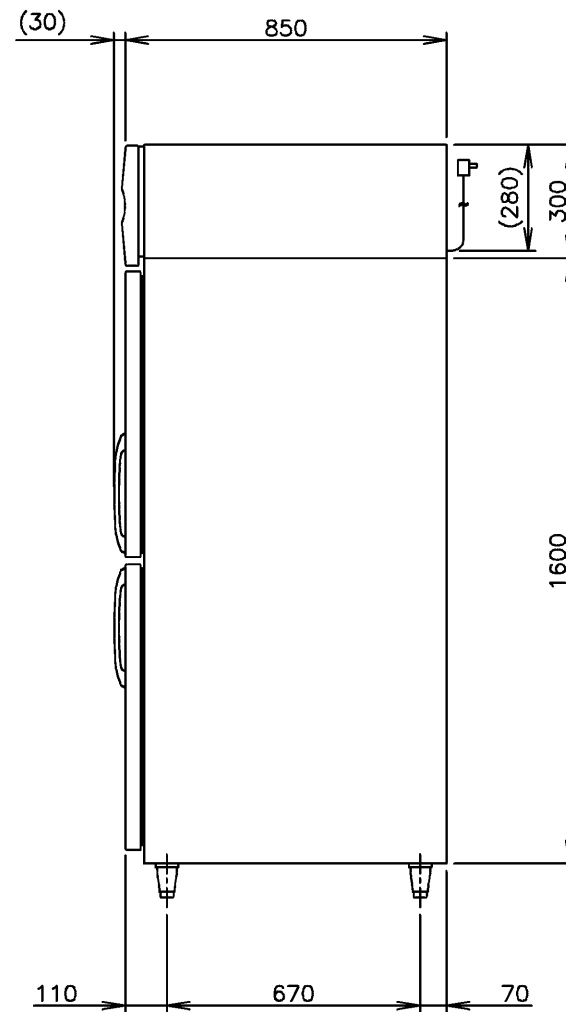
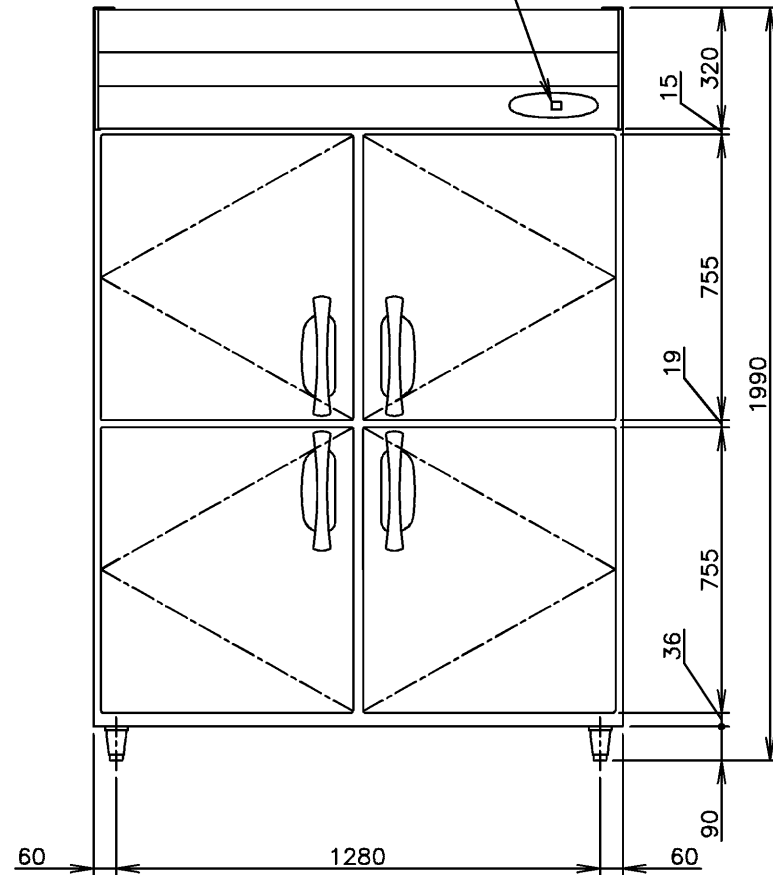
POWER CORD 2300 LONG OUTSIDE
(PLUG WITH EARTH WIRE)

GN PAN(OPTION)(530x650)

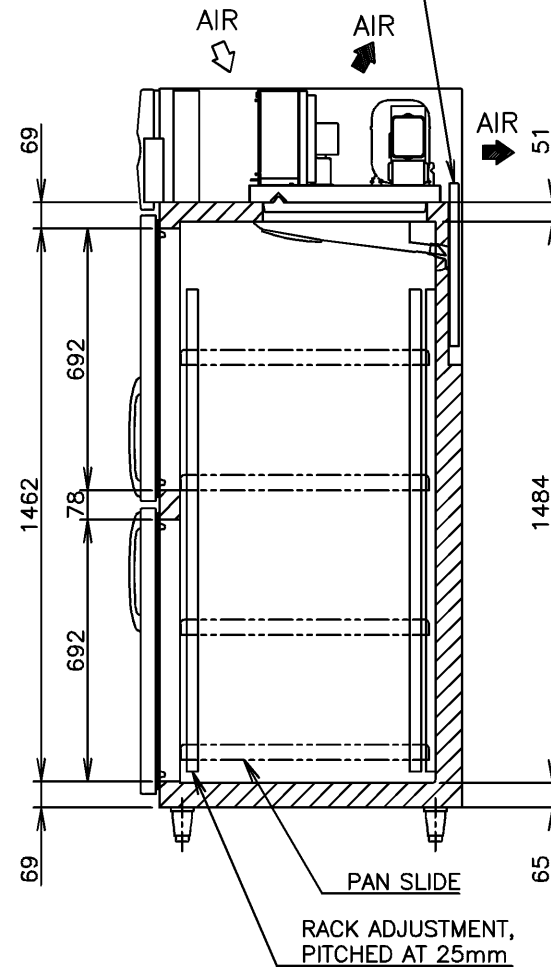
STOPPER



DIGITAL THERMOMETER



DRAIN EVAPORATING TANK



ITEM	Hoshizaki Reach-in Freezer
MODEL	HFE-140B-CHD
POWER SUPPLY	1 Phase 220 - 240V 50Hz Capacity: 1.26kVA (5.5A)
AMPERAGE	Rated: 3.79A Starting: 20.0A
ELECTRIC CONSUMPTION	723W (Power Factor: 83%) (Except Drain Pan Heater 170W) Heater: 696W Defrost: 696W
HEAT REJECTION	1330W
POWER CORD	2.3m (Plug with Earth Wire)
EFFECTIVE CAPACITY	1360L
OUTSIDE DIMENSIONS	1400mm(W)×850mm(D)×1990(-2020)mm(H)
INSIDE DIMENSIONS	1296mm(W)×676mm(D)×1484mm(H)
EXTERIOR	Stainless Steel, Galvanized Steel(Rear, Bottom)
INTERIOR	Stainless Steel, ABS Plastic(Door)
INSULATION	Polyurethane Foam
INSULATION FOAM BLOWING AGENT	Cyclopentane
REFRIGERATION SYSTEM	Forced Air Circulation
DEFROST SYSTEM	Heater
COMPRESSOR	Hermetic 495W(Motor Size)
CONDENSER	Fin and Tube type, Air-cooled
EVAPORATOR	Fin and Tube type
REFRIGERANT	R404A
TEMPERATURE CONTROL	Microprocessor (Digital Temp. Indication) Adjustable from -25 to -7℃
DEFROST CONTROL	Microprocessor
ELECTRIC CIRCUIT PROTECTION	Earth Wire, Circuit Breaker
REFRIGERANT CIRCUIT PROTECTION	Motor Protector (Auto-reset)
DRAIN EVAPORATING PAN	Stainless Steel, 170W
LEG	Plastic Adjustable from 90 to 120mm
WEIGHT	202kg (Gross 236kg)
PACKAGE	Carton (Wooden Pallet) 1460mm(W)×950mm(D)×2075mm(H)
OPERATING CONDITIONS	Ambient Temperature: 5 - 43℃ Voltage Range: Rated Voltage ±6%

*We reserve the right to make changes in specifications and design without prior notice.

1. Install the product properly in accordance with the instructions on location, water supply/ drain connections and electrical connections stated in the instruction and installation manuals provided.
Allow 10mm extra space at the installation site to meet any installation requirements (additional spacing is also required for proper air flow and water connections).
2. The heat rejection is based on the reached pull-down temperature at ambient temperature of 43℃.
3. The drain pan may overflow if the door is opened frequently or under highly humid conditions in the rainy or summer season.
4. Product Code : R279-C173

*CUSTOMIZED
DRAIN TANK
GN 2/1
D850

HOSHIZAKI REACH-IN FREEZER HFE-140B-CHD (CUSTOMIZED)

APPROVED ISHIGURO	CHECKED TAKAOKA	DESIGNED KATO	DRAWN WATANABE	SCALE 1/20	TRIGONOMETRY
ISHIGURO	TAKAOKA	2013.07.29	DATE	2012.05.24	DRAWING NO. D11519
APPROVED	DESIGNED	SYMBOL	DATE		SYMBOL