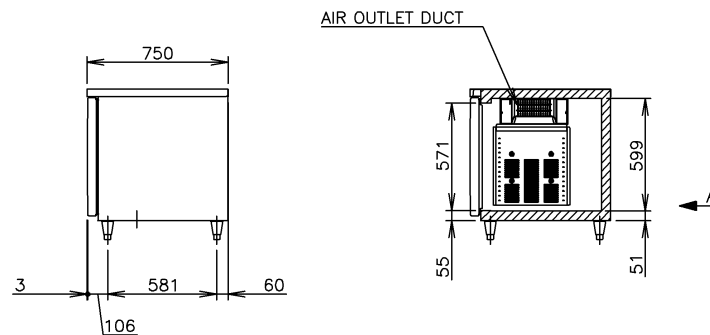
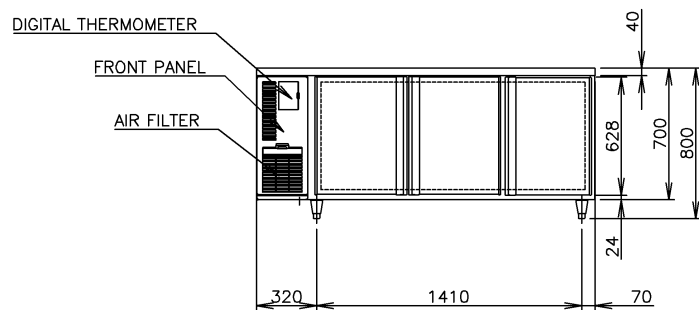
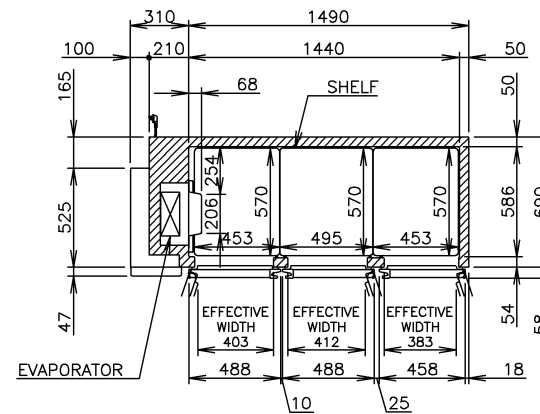
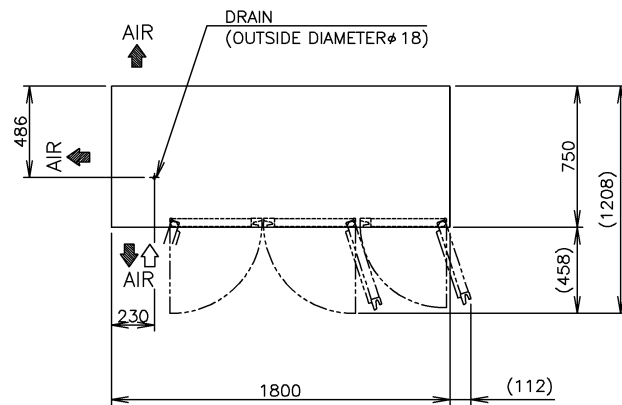


PLUG SHAPE

VIEW A(1/10)



ITEM	Hoshizaki Undercounter Refrigerator
MODEL	RTC-180MDA
POWER SUPPLY	1 Phase 220-240V 50Hz Capacity:0.5kVA(2.27A)
AMPERAGE	Rated 1.6A
ELECTRIC CONSUMPTION	Motor 225W(Power Factor63%) Heater 29W Refrigeration 255W Defrost 33W
HEAT REJECTION	380W
POWER CORD	2.3m (Plug with Earth Wire)
EFFECTIVE CAPACITY	530L
OUTSIDE DIMENSIONS	W1800×D750×H800(790-830)mm
INSIDE DIMENSIONS	W1440×D586×H599mm
EXTERIOR	Precoated Steel, Galvanized Steel (Rear/Bottom) ABS Plastic (Front Panel)
INTERIOR	Precoated Steel, ABS Plastic (Door)
INSULATION	Polyurethane Foam
INSULATION FOAM BLOWING AGENT	Cyclopentane
REFRIGERATION SYSTEM	Forced Air Circulation
DEFROST SYSTEM	Off Cycle
COMPRESSOR	Hermetic 280W (cooling capacity)
CONDENSER	Fin and Tube type, Air-cooled
EVAPORATOR	Fin and Tube Type
REFRIGERANT	R134a
TEMPERATURE CONTROL	Microprocessor controlled Adjustable from 0 to 12℃
DEFROST CONTROL	Microprocessor controlled
ELECTRIC CIRCUIT PROTECTION	Fuse, Earth Wire
COMPRESSOR PROTECTION	Motor Protector
LEG	Plastic Adjustable 90 to 130mm
SHELF	6pcs. (include Bottom shelf)
WEIGHT	Net:101kg (Gross: Approx. 107kg)
PACKAGE	Carton W1865×D830×H790mm
OPERATING CONDITIONS	Ambient Temperature:5-38℃ Voltage Range:Rated Voltage \pm 6%

■We reserve the right to make changes in specifications and design without prior notice.

1. Install the product properly in accordance with the instructions on location, electrical connections stated in the instruction manual provided. Allow 10mm extra space at the installation site to meet any installation requirements(additional spacing is also required for proper air flow, pipe connections).
2. The heat rejection is based on the reached pull-down temperature at ambient temperature of 38℃ and power supply of 220V 50Hz. The ampere and electric consumption are based on measurements at ambient temperature of 38℃ and power supply of 220V 50Hz.
3. Product code: T074

HOSHIZAKI UNDERCOUNTER REFRIGERATOR RTC-180MDA

APPROVED TORIHATA	CHECKED FUJIHARA	DESIGNED OKADA	DRAWN INSHIKOO	SCALE 1/30	TRIGONOMETRY
*	*	△	****	DATE 2011.02.24	DRAWING NO. D08354
APPROVED	DESIGNED	SYMBOL	DATE		SYMBOL △