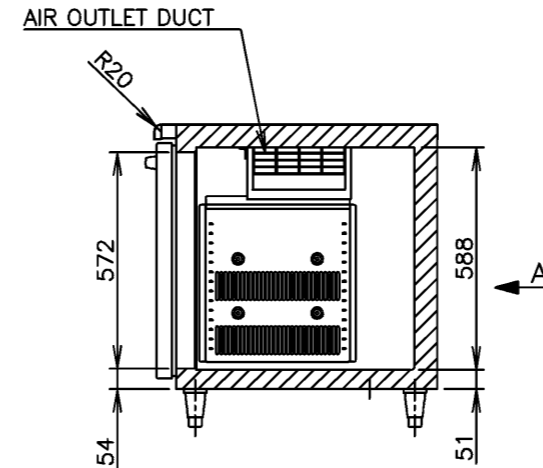
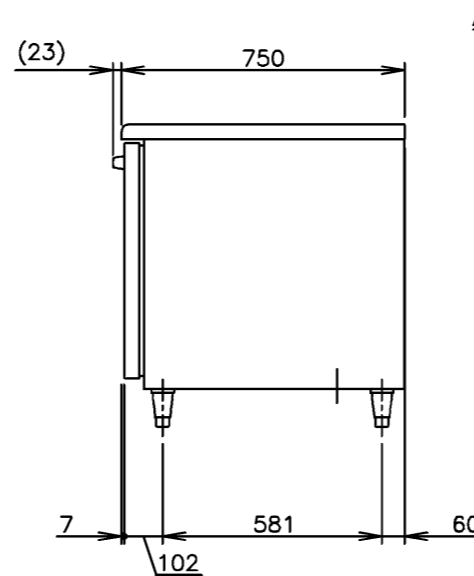
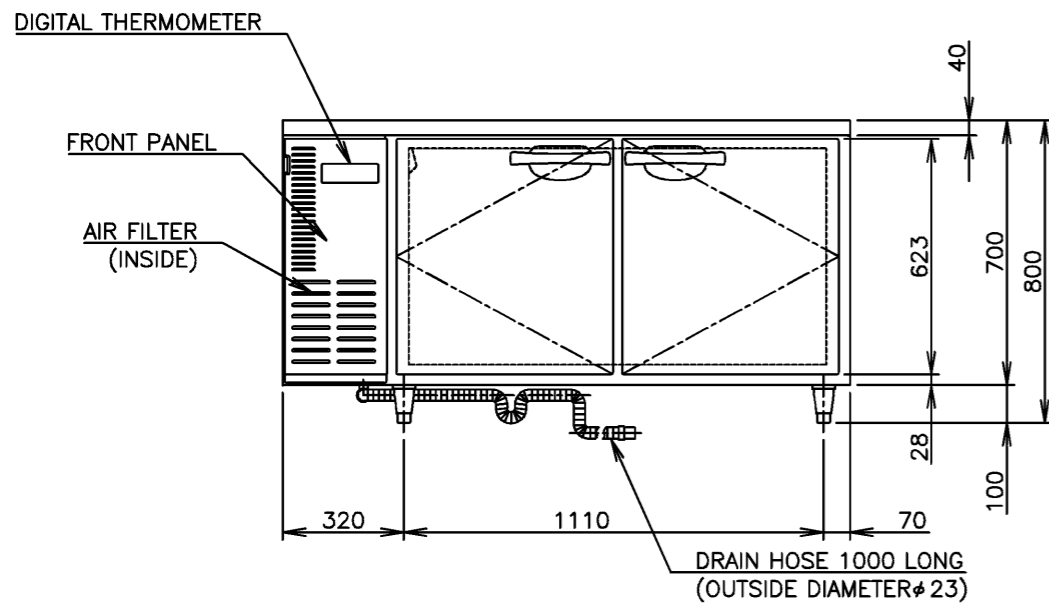
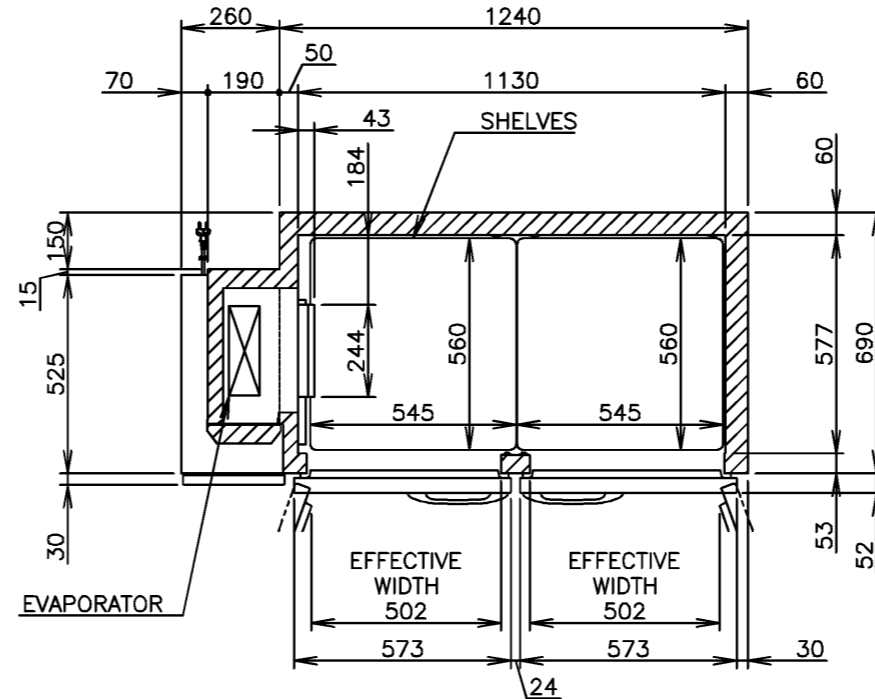
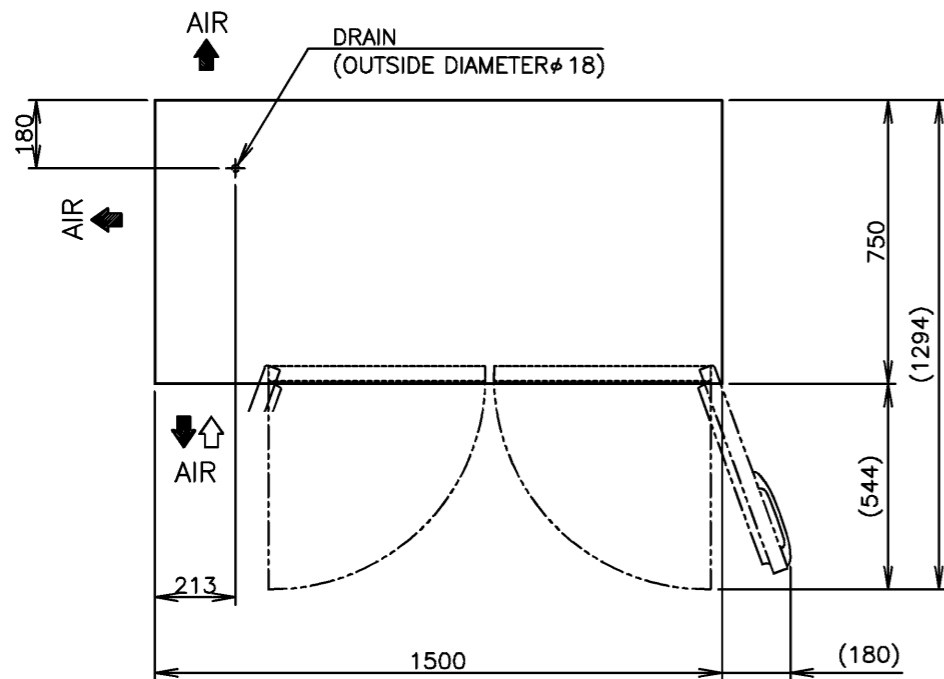


PLUG SHAPE



ITEM	Hoshizaki Undercounter Refrigerator
MODEL	RTC-150SDA
POWER SUPPLY	1 Phase 220-240V 50Hz Capacity:0.54kVA(2.45A)
AMPERAGE	Rated 1.5A Starting 8.2A
ELECTRIC CONSUMPTION	Motor 250W(Power Factor83%) Heater 186W Refrigeration 271W Defrost 186W
HEAT REJECTION	480W
POWER CORD	2.8m (Plug with Earth Wire)
EFFECTIVE CAPACITY	413L
OUTSIDE DIMENSIONS	W1500×D750×H800(790-830)mm
INSIDE DIMENSIONS	W1130×D577×H588mm
EXTERIOR	Stainless Steel, Galvanized Steel (Rear/Bottom)
INTERIOR	Stainless Steel, ABS Plastic
INSULATION	Polyurethane Foam
REFRIGERATION SYSTEM	Forced Air Circulation Fan Motor DC12V 9.5W
DEFROST SYSTEM	Glass Tube Heater
COMPRESSOR	Hermetic 215W
CONDENSER	Fin and Tube type(8 tubes high 2 rows deep) Fan Motor 7W
EVAPORATOR	Fin and Tube Type(10 tubes high 3rows deep)
REFRIGERANT	R134a/150g
TEMPERATURE CONTROL	Microprocessor controlled Adjustable from -6 to 12℃
DEFROST CONTROL	Microprocessor controlled
ELECTRIC CIRCUIT PROTECTION	10A Fuse, Earth Wire
COMPRESSOR PROTECTION	Motor Protector
WEIGHT	Net:102kg (Gross: Approx. 107kg)
PACKAGE	Carton W1565×D830×H790mm
ACCESSORIES	Drain Hose x 1( $\phi$ 23mm OD), Cable strap x 3
OPERATING CONDITIONS	Ambient Temperature:5-43℃ Voltage Range:Rated Voltage $\pm$ 6%

1. Install the product properly in accordance with the instructions on location, electrical connections stated in the instruction manual provided. Allow 10mm extra space at the installation site to meet any installation requirements(additional spacing is also required for proper air flow).
2. The heat rejection is based on the reached pull-down temperature at ambient temperature of 43℃ and power supply of 220V 50Hz. The amperage and electric consumption are based on measurements at ambient temperature of 43℃ and power supply of 220V 50Hz.
3. The cabinet temperature range of -6 to 12℃ is guaranteed at ambient temperature of 30℃.

# HOSHIZAKI UNDERCOUNTER REFRIGERATOR RTC-150SDA

APPROVED SAEKI	CHECKED FUJIHARA	DESIGNED KAWAKAMI	DRAWN KAWAKAMI	SCALE 1/20	TRIGONOMETRY
*	*	△	*****	DATE 2009.04.29	DRAWING NO. D04705
APPROVED	DESIGNED	SYMBOL	DATE		SYMBOL △