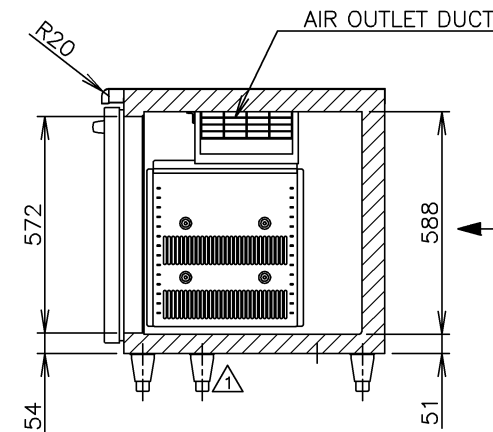
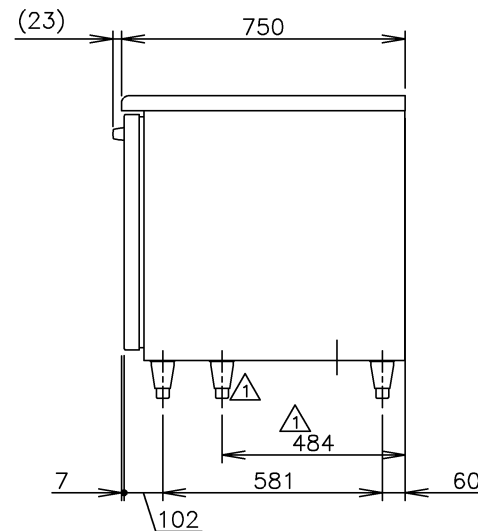
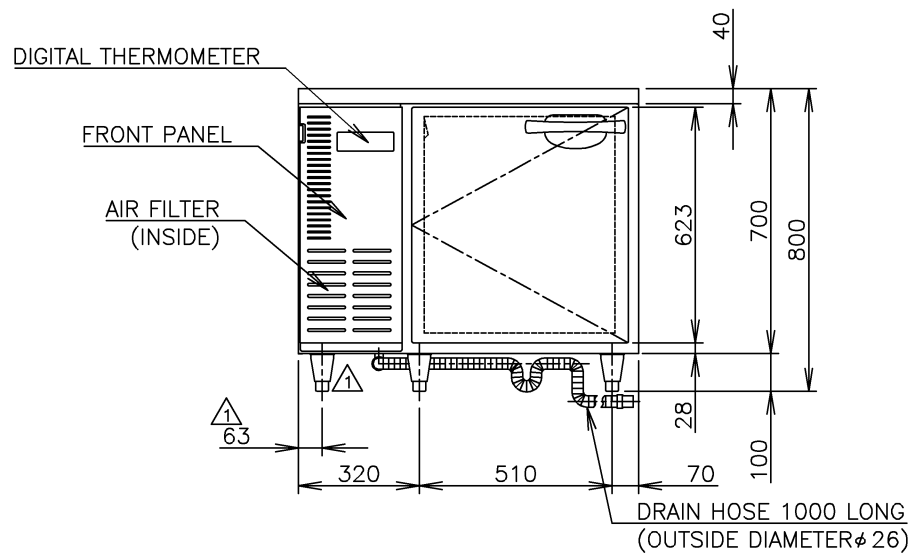
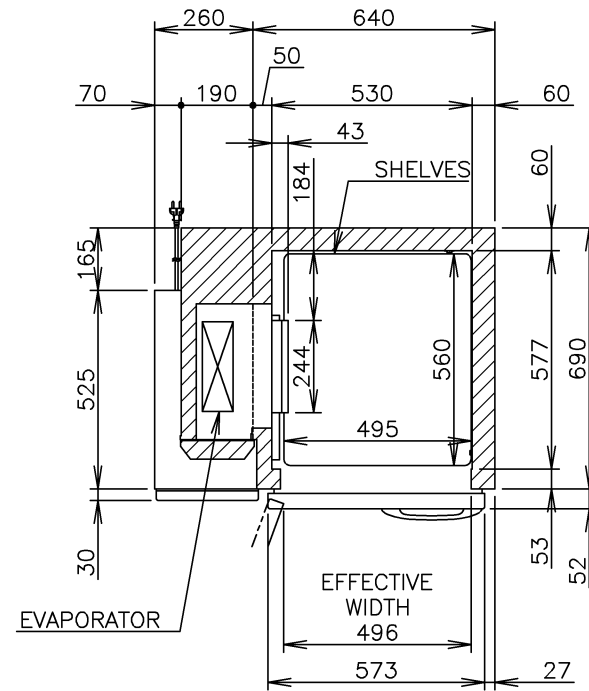
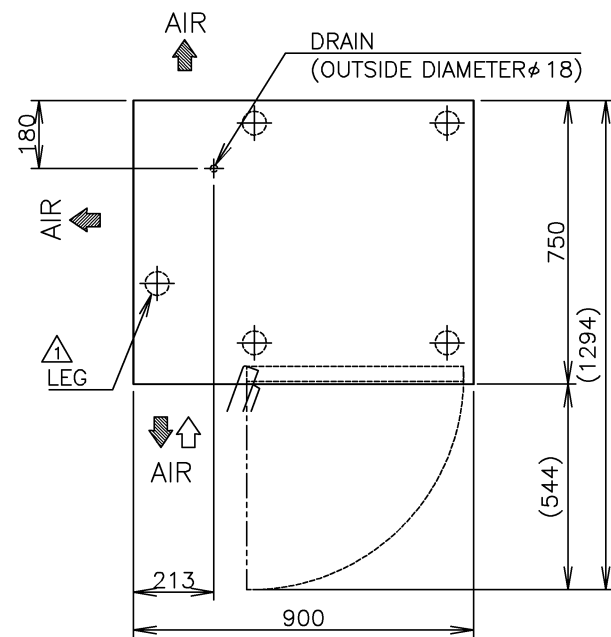


PLUG SHAPE

VIEW A



ITEM	Hoshizaki Undercounter Freezer
MODEL	FTC-90SDA
POWER SUPPLY	1 Phase 220-240V 50Hz Capacity: 0.78kVA (3.55A)
AMPERAGE	Rated 2.3A Starting 12.6A
ELECTRIC CONSUMPTION	Motor 327W(Power Factor 67%) Heater 349W Refrigeration 346W Defrost 349W
HEAT REJECTION	680W
POWER CORD	2.8m (Plug with Earth Wire)
EFFECTIVE CAPACITY	190L
OUTSIDE DIMENSIONS	900mm (W) x 750mm (D) x 800 (790-830)mm (H)
INSIDE DIMENSIONS	530mm (W) x 577mm (D) x 588mm (H)
EXTERIOR	Stainless Steel, Galvanized Steel (Rear/Bottom)
INTERIOR	Stainless Steel, ABS Plastic
INSULATION	Polyurethane Foam
INSULATION FOAM BLOWING AGENT	Cyclopentane
REFRIGERATION SYSTEM	Forced Air Circulation
DEFROST SYSTEM	Glass Tube Heater
COMPRESSOR	Hermetic 315W
CONDENSER	Fin and Tube type, Air-cooled
EVAPORATOR	Fin and Tube Type
REFRIGERANT	R404A/200g
TEMPERATURE CONTROL	Microprocessor controlled (Digital Temp Indication) Adjustable from -25 to -7 C
DEFROST CONTROL	Microprocessor controlled
ELECTRIC CIRCUIT PROTECTION	Fuse, Earth Wire
COMPRESSOR PROTECTION	Motor Protector
LEG	Plastic Adjustable from 90 - 130mm
SHELF	2pcs.
WEIGHT	Net: 77kg (Gross: Approx. 84kg)
PACKAGE	Carton 965mm(W) x 830mm (D) x 790mm (H)
ACCESSORIES	Drain Hose (ϕ 26mm OD), Cable strap x 3
OPERATING CONDITIONS	Ambient Temperature: 5-43 C Voltage Range: Rated Voltage \pm 6%

*We reserve the right to make changes in specifications and design without prior notice.

1. Install the product properly in accordance with the instructions on location, electrical connections stated in the instruction manual provided. Allow 10mm extra space at the installation site to meet any installation requirements (additional spacing is also required for proper air flow and pipe connections).
2. The heat rejection is based on the reached pulldown temperature at ambient temperature of 43° C and power supply of 220V 50Hz. The amperage and electric consumption are based on measurements at ambient temperature of 43° C and power supply of 220V 50Hz.
3. The cabinet temperature range of -25 to -7° C is guaranteed at ambient temperature of 30° C.
4. Product code: T018-D024

HOSHIZAKI UNDERCOUNTER FREEZER FTC-90SDA

APPROVED TORIHATA	CHECKED YAMASAKI	DESIGNED KAWAKAMI	DRAWN NISHIKOORI	SCALE 1/20	TRIGONOMETRY
M.NOTSU APPROVED	KAWAKAMI DESIGNED	2015.02.18 DATE	DATE 2014.05.15	DRAWING NO. D13841	SYMBOL 1