

Specification

CombiMaster® Plus 61 E (6 x 1/1 GN)

Reference number:



Description

- Hot-air steamer (combi-steamer mode) conforming to DIN 18866 for most of the cooking methods used in commercial kitchens for the optional use of steam and hot-air, individually, in succession or in combination.

Working safety

- HACCP data output and software update via integral USB port
- Safety temperature limiter for steam generator and hot-air heating
- VDE approved for unsupervised operation
- Maximum rack height 5 ¼ ft. / 1.60 m when original stand used
- Integral fan impeller brake
- Door handle with right/left and slam function

Operation

- Mode selector control for cooking modes, separate controls for temperature, core temperature and time settings
- LED illuminated display, visible from a distance
- Clear control panel

Cleaning, care and operational safety

- Manual cleaning program
- Diagnostic system with automatic service notices displayed
- Menu-guided user descaling program

Features

- USB Interface
- Probe for core temperature measurement
- Individual programming of 100 cooking programs each with up to 6 steps
- 5 fan air speeds, programmable
- Integral, maintenance-free grease extraction system with no additional grease filter
- Cool-down function for fast cabinet fan cooling
- High-performance fresh steam generator
- Automatic, active rinsing and drainage of steam generator by pump
- Automatic adaptation to the installation location (height, climate, etc.)
- Unit door with rear-ventilated double-glass panel and hinged inner panel
- Seamless hygienic cooking cabinet with rounded corners, cabinet with splash guard - stops water from spilling out
- Removable, swivelling grid shelves (distance between rails 2 5/8" / 68 mm)
- Material inside and out 304 (DIN 1.4301) stainless steel
- Hand shower with automatic retracting system
- Separate solenoid valves for normal and softened water
- Fixed waste water connection conforming to SVGW requirements where permitted
- Splash and hose-proof to IPX 5
- Demand-related energy supply
- Lengthwise loading for 12"x20" (1/1, 1/2, 2/3, 1/3, 2/8 GN) accessories
- Temperature unit is selectable in °C or °F
- Height-adjustable feet
- Dynamic air mixing

ClimaPlus



Climate management - humidity measurement, 5-stage setting and regulation

Combi-Steamer mode



Steam between 30 °C and 130 °C



Hot-air from 30 °C-300 °C

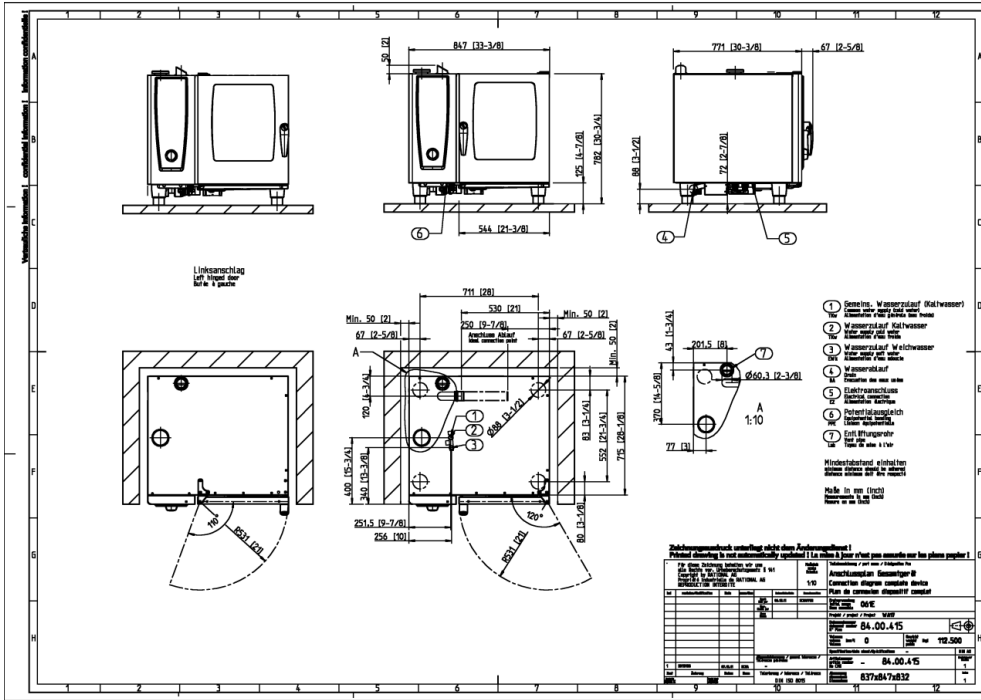


Combination of steam and hot-air
30 °C-300 °C

Approval/Labels



Planner/Designer:



1. Common water supply (cold water)
2. Water supply cold water / condensate "Split" water connection
3. Water supply cold / Treated "Split" water connection
4. Water drain
5. Electrical connection wire entrance
6. Chassis Ground connection
7. Steam Vent pipe DN 2 3/8" / 60 mm
8. minimum distance 2" / 50 mm
9. Measurements in mm (inch)

Technical Info

Lengthwise loading for: 1/1, 1/2, 2/3, 1/3, 2/8 GN

Capacity (GN-container/ grids): 6 x 1/1 GN

Number of meals per day: 30-80

Width: 33 1/4 inch / 847 mm

Depth: 30 3/8 inch / 771 mm

Height: 30 3/4 inch / 782 mm

Weight (net): 232 lbs / 105.5 kg

Weight (gross): 265 lbs / 120.5 kg

Water connection (pressure hose): 3/4" / d 1/2"

Water pressure (flow pressure): 150-600 kPa / 0,15-0,6 Mpa / 1,5 - 6 bar

Water drain: DN 50 mm

Connected load electric : 11 kW

"Steam" connection: 9 kW

Mains connection	Breaker Size / (amp draw)	Cable crosssection
3 NAC 400V	3x16 A	5 x 2,5 mm ²

50/60Hz
Other voltage on request!

Installation

- Attention: Copper wiring only!
- Recommended left hand clearance for service and maintenance 20" / 500 mm. It must be a minimum of 14" / 350 mm if heat sources are affecting the left side of the unit
- Installations must comply with all local electrical, plumbing and ventilation codes

Options

- Marine version
- Security version/prison version
- Left hinged door
- Sous-Vide core temperature probe
- Interface Ethernet
- Safety door lock
- Externally attached core temperature probe
- Mobile oven rack
- Lockable control panel
- Connection to energy optimising systems "Sicotronic" + Potential free contact for operation indication included
- Special voltages
- external signal unit connection
- Control panel protection

Accessories

- GN Containers, Trays, Grids
- Stands / Cabinets
- Thermocover
- Transport Trolley
- Exhaust hood
- UltraVent® Plus condensation hood with special filter technology
- UltraVent® condensation hood
- KitchenManagement System
- Heat shield for left hand side panel
- Superspike (poultry grids), CombiGrill®
- Hinging rack for bakers or butchers
- Mobile oven rack and hinging rack for bakers
- Special Cleaner and Grill Cleaner
- Grease drip container
- Mobile plate rack
- Wall Bracket for securing
- Catering kit