



Granule Flexi®



– the flexible potwashing solution

GRANULE FLEXI® IS DEDICATED to small and medium sized kitchens such as;

- Restaurants
- Medium-sized institutional kitchens
- Supermarkets
- Caterers

Most of our Granule Flexi® customers prepare up to 500 meals a day. They are pleasantly surprised when it comes to capacity. The machine can clean up to 4 x GN 1/1 containers, 200 mm deep, directly in one cycle. Large pots up to 700 mm deep, mixing and ceramic bowls, baking and plastic trays are also very easily washed.

As the Granule Flexi® is an extremely compact solution, no kitchen is too small for this machine.

Compact & easy to use

From really small to medium sized kitchens, there is always enough space for this machine. Moreover, you do not need to be a specialist to use it. It is easy to operate thanks to its self-explanatory control panel.

The right capacity

You can wash up to 96 x GN 1/1 containers, 200 mm deep per hour. This machine measures up to bigger water-only potwashers. From lightly soiled mixing bowls to barbecue grills with burnt-on food, the machine will clean them with no problems: either with a water-only cycle, or with a longer Granule cycle to really attack that troublesome burnt-on food.

Multipurpose

Do you need to wash small and large kitchen utensils? Do you use gastronorms, pans, ceramic bowls and plastic trays? Do you have round-shaped pots and square-shaped trays?

Whatever the size, type or shape of your utensils, the Granule Flexi® will wash them! Many accessories and special packages are available to help you wash your wide variety of utensils.



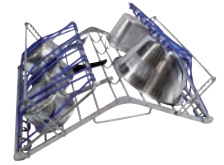
GRANULDISK®

The right package to meet your needs

We have designed different product packages to help you select the machine that best meets your needs.



• **Flexible package** Includes equipment for high capacity handling of pots, gastronorm containers and other types of utensil. The universal insert washes both GN containers and large pots up to 700 mm deep using the short spray pipe.



• **Gastronorm Package** If you use the gastronorm range for all your cooking, this package will give you the highest capacity. Small 1/9 GN containers up to large 2/1 GN containers 200 mm deep can be washed without additional accessories, so permitting a quick and easy loading procedure.



(Flexible or Gastronorm package is included with standard delivery)

• **Supermarket Packages**

You need to clean a lot of different utensils in no time at all... And so this package is aimed at you. Dirty barbecue grills are scoured clean with PowerGranules. Ceramic bowls or plastic trays are washed in normal wash baskets and kept in place by a protective grid. You can use high capacity inserts which accommodate 8 trays at a time for washing trays and baking trays.



e inside

... **efficiency**

GRANULDISK® offers the highest level of efficiency to one of the most thankless areas of the kitchen.

... **environment**

Save on nature's resources with GRANULDISK®; cut your energy, water and detergent consumption by half*.

... **ensured hygiene**

A temperature of 72 °C on the surface of washed items guarantees hygienically clean pots and pans.

... **ergonomy**

Enjoy a dramatically improved working environment and lighter working day.

Clean in 3 minutes – No Pre-washing



... **extra time**

Spend 1 hour cleaning up to 96 GN 1/1 with Granule Flexi® - instead of more than 1 day cleaning them by hand.

... **economy**

It pays to invest in a GRANULDISK® machine - faster than you might think! Our customers often have a pay off time that is well within 24 months.



... **learn more** about our machine range, all the green savings and GRANULDISK® ware washing solutions at www.granuldisk.com or in the collected GRANULDISK® brochure.

* in comparison with 4 hours manual potwashing/day.



Technical specifications

Weight	372 kg (filled machine)
Tank volume	84 litres
Granule amount	6 kg
Wash water temperature	65 °C
Rinse water temperature	85 °C
Rinse water volume (litres/ wash programme)	Eco programme: 4 litres Short/Normal programme: 8 litres <i>To achieve 3600 HUE according to NSF/ANSI 3 – 2007 hygiene guidelines, 8 litres is necessary.</i>
Wash programmes, without/with Granules	Eco 2 min. 30 s. / 2 min. 30 s. Short 3 min. 40 s. / 4 min. 40 s. Normal 5 min. 40 s. 6 min. 40 s.
Time for steam reduction	1 minute (Short/Normal Programme)
Loading volume	205 litres w 600 x h 650 x d 530 (mm)
Capacity	4 GN 1/1, 200 mm deep, or 8 GN 1/2, 200 mm deep containers or the equivalent in other utensils.
Max capacity/h	96 GN 1/1
Normal capacity/h	84 GN1/1
Voltage	3 ~ 400 V 50 Hz (standard) <i>Other Voltage available on request</i>
Fuse	25 A (c.w option 32 A)
Maximum power	12.3 kW (c.w option 17.3 kW)
Wash pump motor	3 kW
Rinse pump motor	0.37 kW
Wash-/Rinse tank element*	9 kW (c.w option 14 kW)
Encapsulation class	IP 55
Hot water connection	1/2" (DN 15), 55-65 °C, 3-10 °dH
Water pressure/flow h.w.	1-6 bar /15 litres/min.
Cold water connection	1/2" (DN 15), 3-10 °dH
Water pressure/flow c.w	3-6 bar /15 litres/min
Detergent and rinse agent	230 VAC signal in separate connection box.
Recommended ventilation capacity	<i>Machine without steam reduction:</i> 500 m ³ /h <i>Machine with steam reduction:</i> 150 m ³ /h
Outflow	Pipe Ø 32 mm
Drain	Required capacity 100 litres/minute The machine should not be placed directly above the drain.

* Not in use simultaneously

Accessories

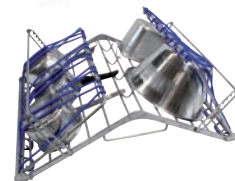
GD 672 INSERT FOR GN-CONTAINERS

Insert with a fixed central divider for kitchens using mainly Gastronorm containers (GN 1/1 to 1/9) with a maximum depth of 200 mm. (ref. no. 13465)



GD 673 FLEXIBLE INSERT FOR POTS

Insert for kitchens where a mix of pots and bowls are used. This insert also holds Gastronorm sized containers. (ref. no. 14454)



GD 674 INSERT FOR TRAYS AND LIDS

Insert for washing lids, small trays and other flat kitchen ware. Maximum size of ware is 550 x 360 mm. Capacity 12 pcs. (ref. no. 6001147)



GD 675 UNIVERSAL INSERT FOR GN-CONTAINERS AND LARGE POTS

Insert that allows washing of the whole Gastronorm range from 1/9 to 2/1 as well as medium and large pots. The insert can assume four configurations. The central divider can be moved to accommodate pots of different sizes. (ref. no. 13463)



GD 654 SHORT SPRAY PIPE

The short spray pipe is fitted instead of the upper spray pipe when washing large pots. Used in combination with the Universal insert. (ref. no. 6000370)



GD 659 NET BASKET WITH LID

Net basket with lid for ladles, beaters and other small items. Tools with a max length of 550 mm. (ref. no. 21477)



GD 677 SUPERMARKET INSERT

Insert for 8 trays with a 22 mm edge, 690 x 450 mm. Capacity 8 trays. (ref. no. 13745)



GD 678 SUPERMARKET INSERT FOR SHEETPANS 655 X 450 MM

Insert for 8 pans, 655 x 450 mm with a 25 mm edge. (ref. no. 13736)



GD 679 SUPERMARKET INSERT FOR BAKING TRAYS 600 X 400 MM

Insert for 8 pans, 655 x 400 mm with a 20 mm edge. (ref. no. 13744)



**More accessories available,
learn more at www.granuldisk.com**



PowerGranules® have been specially developed to be used with GRANULDISK® products. Not only will they extend the lifespan of your machine, but also make your pots and pans visibly and hygienically clean!

PowerGranules are made from a material which has been approved for use in contact with food, and are also harmless to ingest. The unique mix of sizes and material composition also gives better removal rates, leaving you with exceptional results!

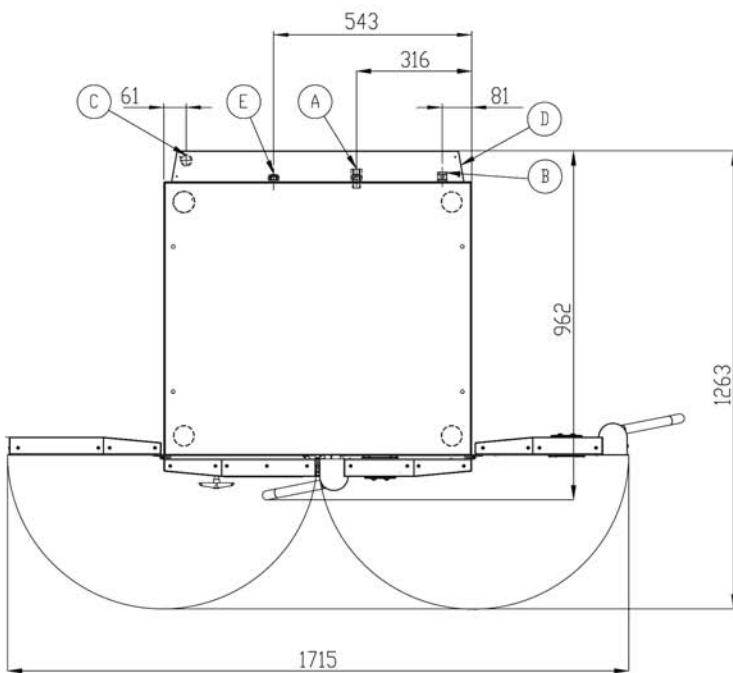
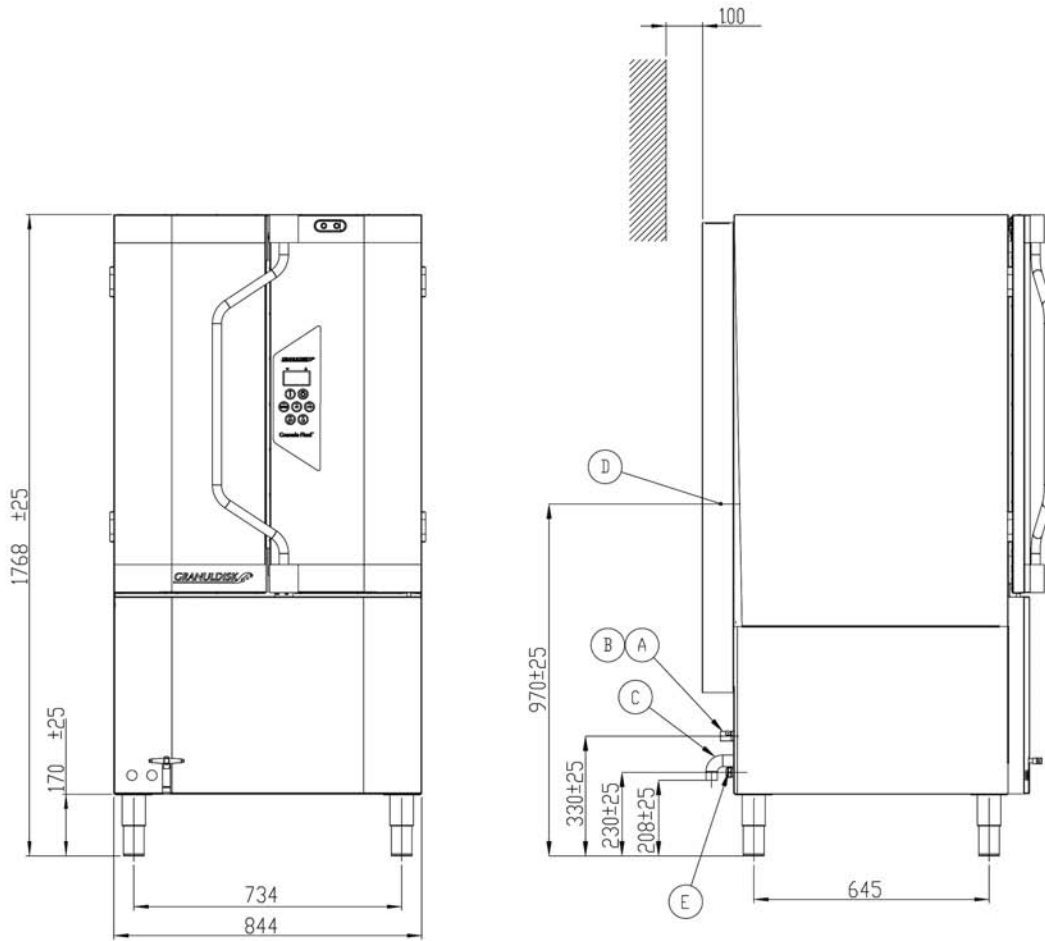
8 kg bucket: ref.no 19833 **20 kg bucket:** ref.no 19834





Installation drawings

(mm)



- A** = Hot water 55-65 °C, 3-10 °dH
- B** = Cold water 3-10 °dH
- C** = Drain Ø 32 mm. 208 mm from floor. Vertical pipe.
- D** = Detergent connection
- E** = Electrical connection