



Granule Combi®



– two machines in one

THE GRANULE COMBI® OFFERS maximum capacity in minimal space and is ideal for:

- Restaurants
- Nurseries and pre-schools
- Staff canteens
- Retirement homes
- Small health care facilities
- Small to medium sized hotels

Granule Combi® is a unique Combi dishwasher which combines the award winning Granule Optimised Washing Technology with the traditional dishwashing technique for plates, cutlery and most types of crockery.

Granule Combi® replaces manual and automatic pot and pan washing, as well as conventional dishwashers. For larger kitchens, Combi mode provides you with an add-on dishwashing feature for peak hours.

Granule Combi® automatically detects which type of wash basket is loaded into the machine and selects the appropriate wash programme. Combi mode works with standard 500 x 500 mm plastic wash baskets.

The automatic kitchen helper

Just as with other GRANULDISK® products, Granule Combi® saves both time and money for its users while at the same time ensuring that high hygienic standards are met throughout the warewashing process. The Granule Combi® also gives you the following benefits:

High capacity, full flexibility

“No time to waste!” Many of our customers want to improve workflow in their kitchen to make them more efficient and flexible. The Granule Combi® is a high capacity machine. In just one hour, you can wash up to 161 x 1/1 GN containers (65 mm deep), or 400 dishes or 600 coffee cups. You decide the flow and can customise your own warewashing cycles.

Compact, yet versatile

You can now get a Granule pot/pan washer and a conventional dishwasher in a single solution, and all this fits in less than 1 m² of floor space. The Granule Combi® is very adaptable and can fit almost any kitchen configuration: against a wall, in a corridor, in a corner. Moreover, as this is a pass-through machine, it naturally separates clean and dirty areas.

Create your own flow with our unique foldable Combi table

The folding Combi table can be installed with ease on either side of the machine, or in front when needed. Some of our customers have opted for two foldable Combi tables, which enables them to create two loading and unloading areas. The table easily stows away along the side of the machine if not needed, providing more workspace in your kitchen.



GRANULDISK®

Two options available for you

Thanks to the design with a hood, the machine can be placed just about anywhere in your kitchen; even in a corner or against a wall. Use both entry and exit tables to make the system as efficient as possible. This allows you to use two baskets with ease and wash up the contents of one while filling or emptying the other.

- **AGAINST A WALL** Suitable for narrow spaces such as in corridors, as this model has no doors to take up space.
- **IN A CORNER** A solution that takes up a minimum of space and places the machine out of the way of the rest of the kitchen.
- **PRODUCTION AREA** This machine can be placed near (or even in) the production area of the kitchen.



Against a wall



In a corner

e inside

... efficiency

GRANULDISK® offers the highest level of efficiency to one of the most thankless areas of the kitchen.

... environment

Save on nature's resources with GRANULDISK®; cut your energy, water and detergent consumption by half**.

... ensured hygiene

A temperature of 72 °C on the surface of washed items guarantees hygienically clean pots and pans.

... ergonomics

Enjoy a dramatically improved working environment and lighter working day.

Clean in 3 minutes – No Pre-washing*



... extra time

Spend 1 hour cleaning up to 161 GN 1/1 with Granule Combi® - instead of more than 1 day cleaning them by hand.

... economy

It pays to invest in a GRANULDISK® machine - faster than you might think! Our customers often have a pay off time that is well within 24 months.



... **learn more** about our machine range, all the green savings and GRANULDISK® ware washing solutions at www.granuldisk.com or in the GRANULDISK® brochure.

* combi-mode requires pre-rinsing ** in comparison with 4 hours manual potwashing/day.



Technical specifications

Weight	416 kg (filled machine)
Tank volume	83 litres
Granule amount	8 kg
Wash water temperature	65 °C
Rinse water temperature	85 °C
Rinse water volume (litres/ wash programme)	Combi mode: 4 litres Eco programme: 4 litres Short/Normal programme: 8 litres <i>To achieve 3600 HUE according to NSF/ANSI 3 – 2007 hygiene guidelines, 8 litres is necessary.</i>
Wash programme Combi mode	Eco 1 min. 30 s. Short 2 min. Normal 2 min. 30 s.
Wash programmes Pot wash without/with Granules	Eco: 2 min 20 s. / 2 min. 20 s. Short: 2 min. 50 s. / 3 min. 30 s. Normal: 4 min. 50 s. / 5 min. 30 s.
Time for steam reduction	20 s. (Combi mode), 30 s. (Pot wash)
Loading volume	220 litres, Ø 700 h 570 (mm)
Capacity	6+1 GN 1/1, 65 mm deep, or 3 GN 1/1 200 mm and 3+1 GN 1/1 65 mm or the equivalent in other utensils
Max capacity/h Pot wash Combi mode	161 GN 1/1 33 wash baskets
Normal capacity/h Pot wash Combi mode	126 GN 1/1 31 wash baskets
Voltage	3 ~ 400 V 50 Hz (standard) <i>Other Voltage available on request</i>
Fuse	25 A (Cold water option 32 A)
Maximum power	12.6 kW (Cold water option 17.6 kW)
Wash pump motors	2.6 kW (Pot wash) / 0.7 kW (Combi mode)
Rinse pump motor	0.37 kW
Wash-/Rinse tank element*	9 kW (Cold water option 14 kW)
Encapsulation class	IP 55
Hot water connection	1/2" (DN 15), 55-65 °C, 3-10 °dH
Water pressure/flow h.w.	1-6 bar /15 litres/min.
Cold water connection	1/2" (DN 15), 3-10 °dH
Water pressure/flow c.w	1-6 bar /15 litres/min <i>(With option steam reduction 3-6 bar)</i>
Detergent and rinse agent	230 VAC signal in separate connection box.
Recommended ventilation capacity	<i>Machine without steam reduction:</i> 500 m³/h <i>Machine with steam reduction:</i> 150 m³/h
Outflow	Pipe Ø 32 mm
Drain	Required capacity 100 litres/minute The machine should not be placed directly above the drain.

* Not in use simultaneously

Accessories

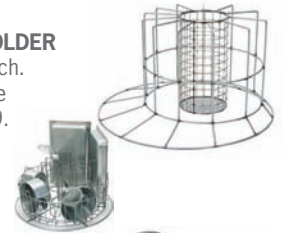
GD 102 STANDARD WASH BASKET FOR GN-CONTAINERS

Wash basket for GN containers. Capacity; 6 GN 1/1, 65 mm, or 3 GN 1/1 200 mm deep and 3 GN 1/1 65 mm. Equipped with small hooks, which enables small containers to be loaded directly into the basket (ref. no. 19999)



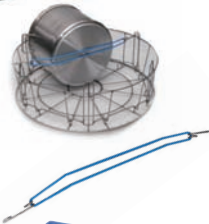
GD 750 SAUCEPANHOLDER WITH LADLE HOLDER

Holder for pots, casserole dishes, bowls and such. Washes containers with 60 - 170 mm depth. The holder is placed in standard wash basket 19999. The net basket in the centre supports ladles, whisks etc. (ref. no. 13756)



GD 754 FLEXIBLE POT SUPPORT

With this rubber band it is easy to fix larger pots or mixing bowls in the wash basket. Simply attach the hooks to the side of the basket. (ref. no. 13789)
(Picture shows example of use - basket is not included)



GD 657 PLATE WASH BASKET

Plastic wash basket for plates and cutlery, 500 x 500 mm. (ref. no. 19882)



GD 151 SUPPORT FOR SERVING-TRAYS

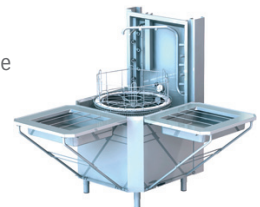
Supports and separates serving trays during wash cycles. (ref. no. 19840)

(Picture shows example of use - basket is not included)



GD 130 FOLDING COMBI-TABLE

Foldable table, can be installed in front or on the side of the machine. (ref. no. 19570)



GD 150 MULTI-PURPOSE INSERT FOR LARGE GN AND TRAYS

Multipurpose insert for GN 2/1, baking trays, grids, chopping boards and GN 1/1 lids (basket not incl. with delivery) (ref. no. 19992)



PowerGranules® have been specially developed to be used with GRANULDISK® products. Not only will they extend the lifespan of your machine, but also make your pots and pans visibly and hygienically clean!

PowerGranules are made from a material which has been approved for use in contact with food, and are also harmless to ingest. The unique mix of sizes and material composition also gives better removal rates, leaving you with exceptional results!

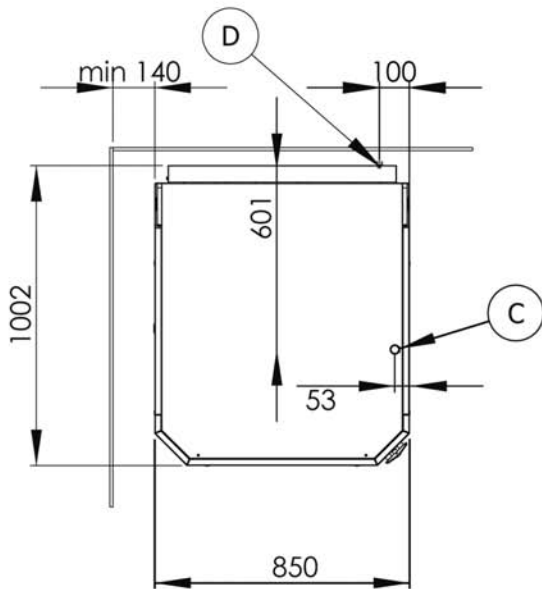
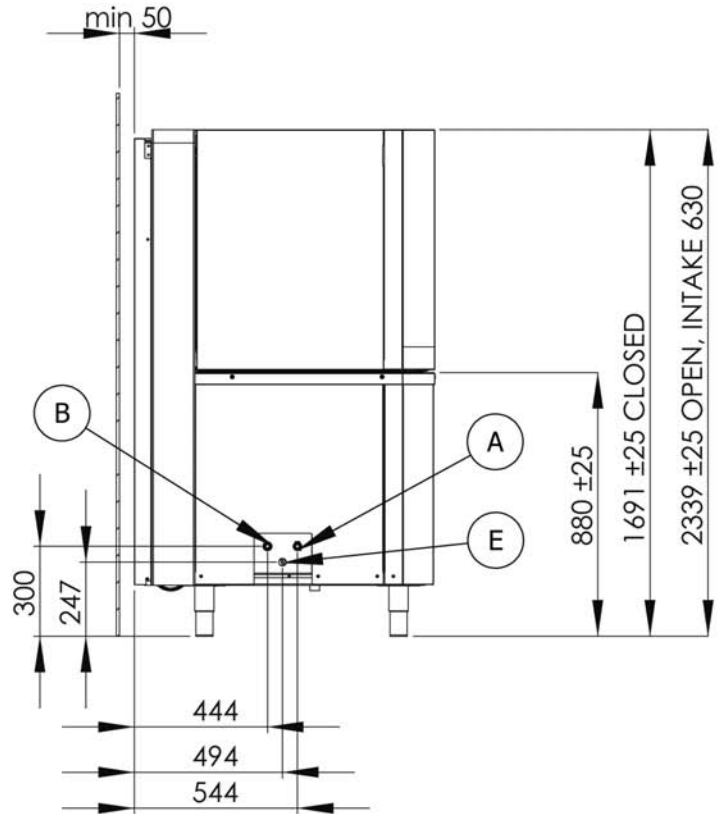
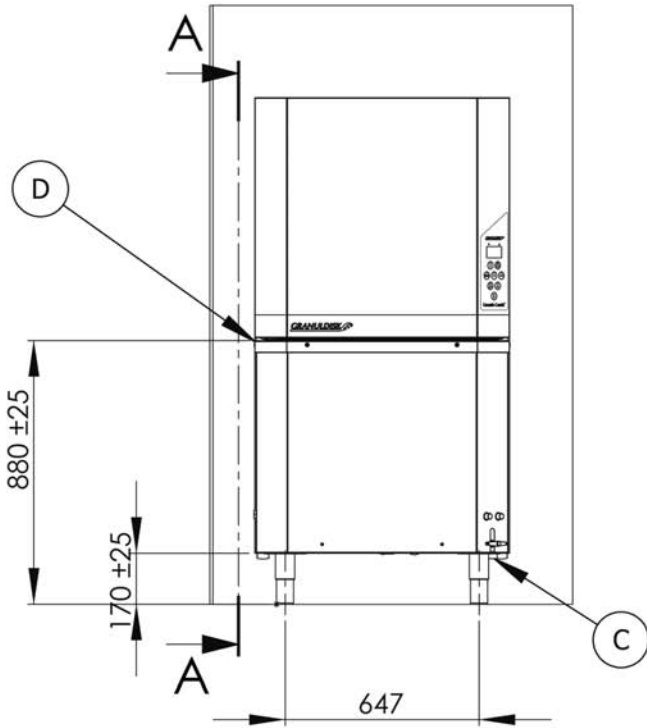
8 kg bucket: ref.no 19833 **20 kg bucket:** ref.no 19834





Installation drawings

(mm)



- A** = Hot water 55-65 °C, 3-10 °dH
- B** = Cold water 3-10 °dH
- C** = Drain Ø 32 mm. 170 mm from floor. Vertical pipe.
- D** = Detergent connection
- E** = Electrical connection